

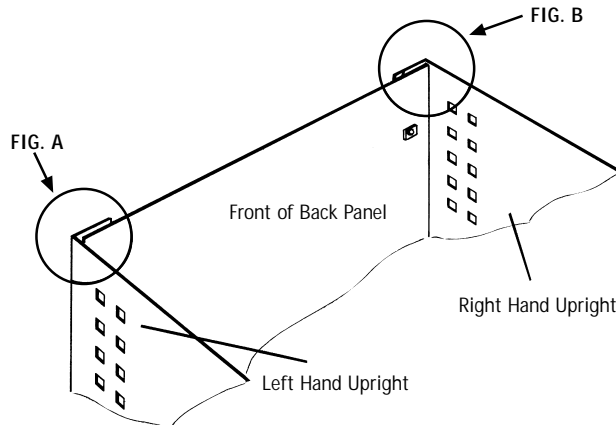
RUT SHELVING ASSEMBLY

Brownbuilt

STEP 1

ATTACHING UPRIGHTS TO BACK PANEL

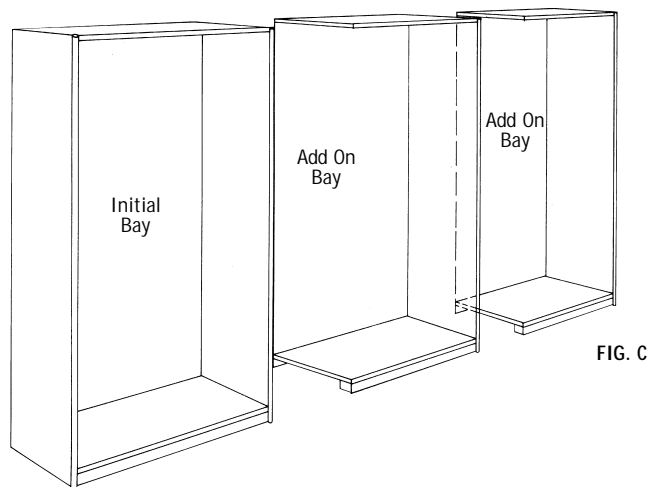
Commence assembly by placing a back panel flat on the floor. Fit an upright to left hand side of back panel by sliding 25mm return on rear edge of upright under back (see fig. A). Secure using $\frac{3}{8}$ " x $\frac{1}{4}$ " screws and nuts at 350mm intervals. Nuts to be on inside of uprights.



STEP 2A

SINGLE BAY 'INITIAL' SHELVING UNIT

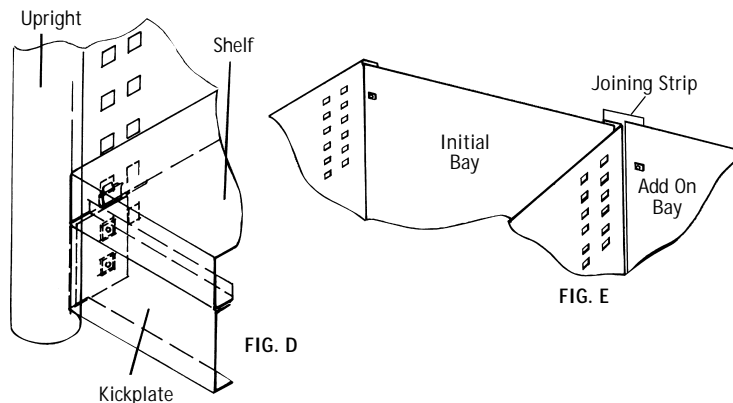
Fit an upright to right hand side of back panel (see fig. B). Attach kickplate to uprights with screws and nuts (see fig. D). Fit bottom shelf by bolting through rear upright holes, then pivot shelf front down onto kickplate. Support bottom shelf above kickplate using shelf clips placed in third hole from bottom of upright (see fig. D). A shelving bay has been formed after bolting top shelf front and rear (similar to initial bay in fig. C).



STEP 2B

MULTI BAY WIDE SHELVING UNIT

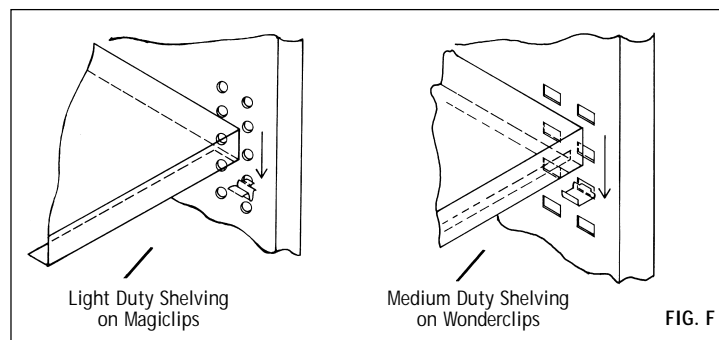
In this configuration an 'initial bay' has been assembled to which, one or more 'add on bays' are to be attached (see fig. C). Once initial bay has been assembled (refer step 2A) it can be placed in a vertical position and 'add on bays' attached. Attach an upright to right hand side of initial bay back panel using a joining strip (see fig. E). Secure with screw and nuts. Repeat assembly instructions from Step 2A.



STEP 3

FITTING SHELVES TO THE BAY

Having formed the shelving bay(s) the last step is to fit the remaining shelves into their respective positions starting from the bottom. Use either 'Magiclips' for light duty shelves or 'Wonderclips' for medium duty shelving (see fig. F).



RUT SHELVING

For more information call
1800 112 474

or visit our web site
www.brownbuilt.com.au

Manufactured by
BROWNBUILT PTY. LIMITED
ACN 002 558 894 ABN 66 002 558 894

Brownbuilt is a registered trademark of Brownbuilt Pty Ltd. Brownbuilt Pty Ltd reserves the right to change specifications without notice.

5 YEAR WARRANTY